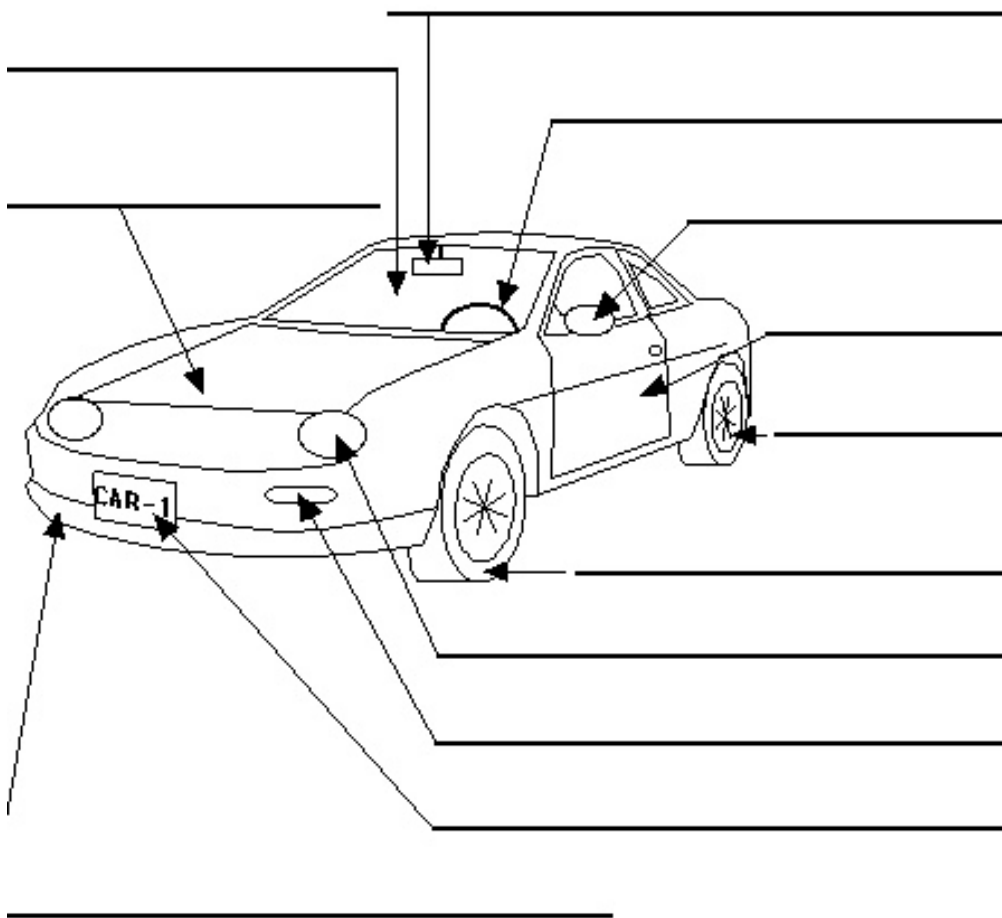


# Cars: Vocabulary worksheet

Label the parts of the car using the words in the box



- door
- headlight
- hood/bonnet
- hubcap
- license plate
- rear-view mirror
- side mirror
- steering wheel
- tyre (UK)
- turn signal
- windshield
- bumper

Clue	Answers (choose from Options column)	Options
Where do you go to buy a new car?		<i>dealer/salesman/woman</i>
A car that is not new?		<i>scrapyard</i>
Person who repairs cars?		<i>chauffeur</i>
Where cars race?		<i>used/second-hand</i>
Sells cars?		<i>mechanic</i>
Type of car?		<i>track</i>
You pay this person to drive for you?		<i>showroom</i>
The last place a car goes?		<i>make/model</i>